

# PRODUCT BULLETIN

February 2016

## INTRODUCING NEW PART DB2328

The new generation Ford Transit uses a very similar looking pad to the previous generation.

Bendix Part DB1915 was developed for the generation 4 Transit.

New Bendix part DB2328 has been developed for the generation 5 Transit.

The diagrams below show they look similar at first glance but DB2328 is longer and has a wear sensor slot.

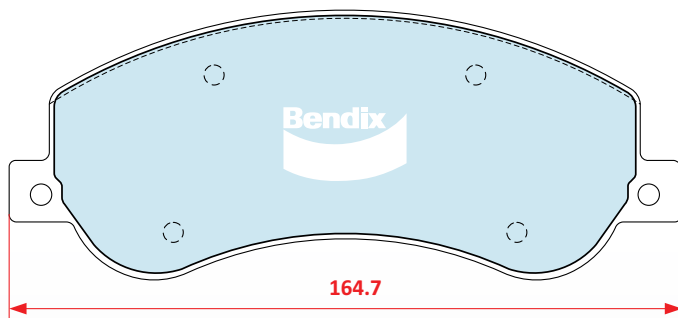


Ford Transit  
4th Generation [VM]  
to 2013

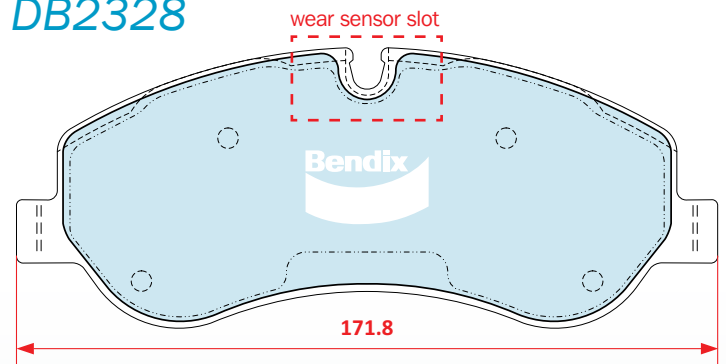


Ford Transit  
5th Generation [VO]  
from 2014

### DB1915



### DB2328



### Applications:

Manufacturer	Model	Year	Variant	Front	Rear	Park
Ford	Transit	2006–2013	2.2, 2.4 RWD [VM] Up to 3.5t (Bosch Rear Disc)	DB1915	DB1968	
Ford	Transit	2006–2013	2.2, 2.4 RWD [VM] Over 3.5t (Brembo Rear Disc)	DB1915	DB1955	
Ford	Transit	2014 On	2.2d RWD with Single Rear Wheel [VO]	DB2328	DB2329	



#### FOR MORE INFORMATION

Freecall the Bendix Brake Advice Centre on  
1800 819 666 (8am-5pm Monday to Friday EST)  
or +61 3 5327 0211 from overseas.  
brakeadvicecentre@bendix.com.au  
[bendix.com.au](http://bendix.com.au) or [bendix.co.nz](http://bendix.co.nz)



\*Bendix brake components are appropriate for the purpose intended and if installed by qualified staff, to the vehicle manufacturer's specifications, can be used in logbook servicing. PRJ-05701

Put your foot down with confidence™