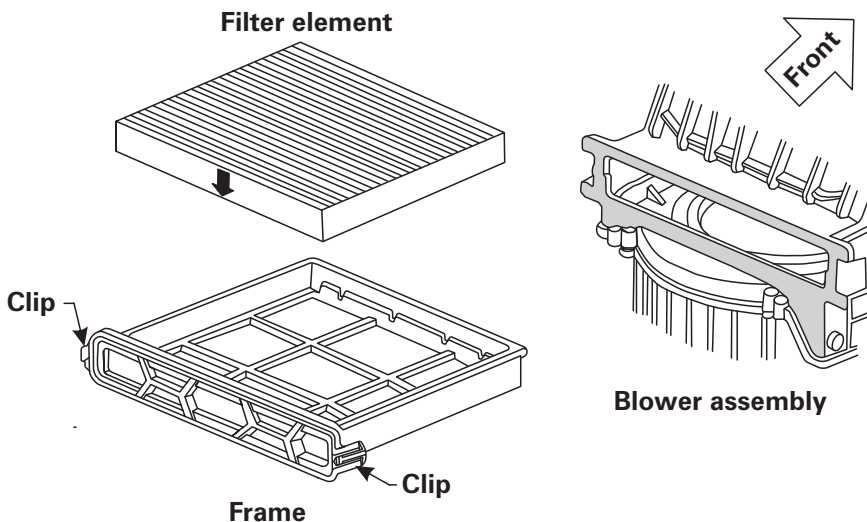


RYCO FILTERS



FITTING INSTRUCTIONS FOR RYCO CABIN FILTER RCA108P.

Honda Accord (Euro)



- 1: Remove the glove box, (refer to workshop manual)
- 2: Remove filter assembly from blower assembly by squeezing clips on side of frame.
- 3: Remove used filter from frame and discard.
- 4: Fit new filter to frame, note direction of flow arrow.
- 5: replace filter assembly into blower assembly.
- 5: Replace glove box.

GUD Automotive Pty Ltd
245 Sunshine Road Tottenham
Victoria 3012 Australia.
www.rycofilters.com.au

GUD (NZ) Ltd
626A Rosebank Road Avondale
Auckland, New Zealand
www.ryco.co.nz