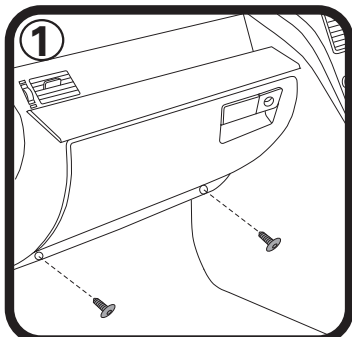


RYCO FILTERS

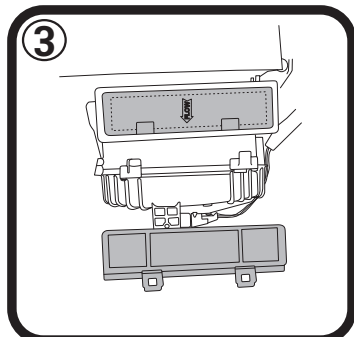


FITTING INSTRUCTIONS FOR RYCO CABIN FILTER RCA113P.

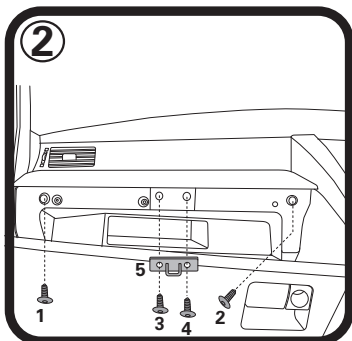
NISSAN MAXIMA & MURANO
Filter located behind glove box



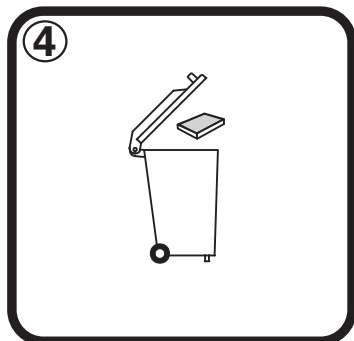
Undo 2 screws at bottom of glove box as shown.



Unclip filter cover and remove, pull used filter out of housing and replace with new Ryco RCA113P.



Open glove box, Undo 4 screws at top of glove box as shown, screws 3 & 4 retain staple (5) for glove box lock, lower glove box to access filter housing, Disconnect glove box light from back of glove box.



Refit all previously removed components in reverse sequence.

Dispose of used filter correctly.

GUD Automotive Pty Ltd
245 Sunshine Road Tottenham
Victoria 3012 Australia.
www.rycofilters.com.au

GUD (NZ) Ltd
626A Rosebank Road Avondale
Auckland, New Zealand
www.ryco.co.nz