

# RYCO FILTERS



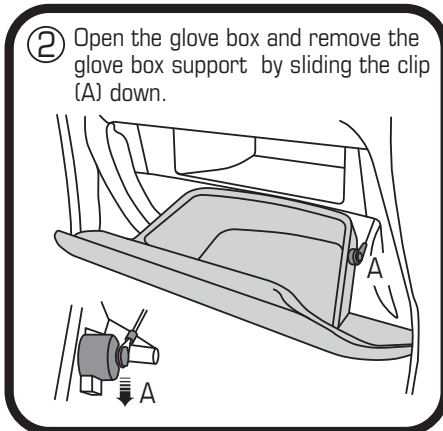
FITTING INSTRUCTIONS FOR RYCO CABIN FILTER RCA104P.

TOYOTA LANDCRUISER PRADO  
(Filter is located behind glove box)

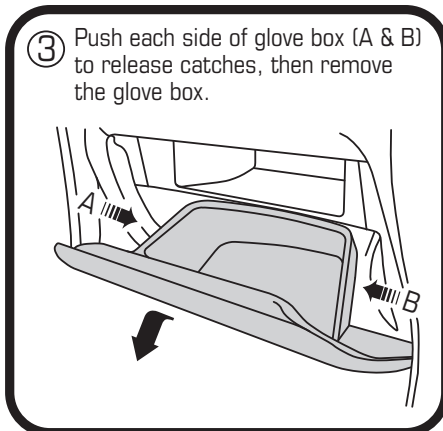
- ① The cabin air filter is located behind the glove box.



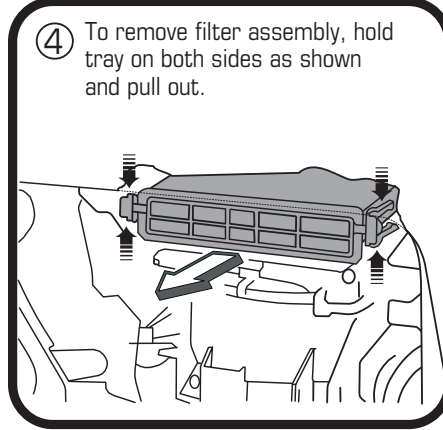
- ② Open the glove box and remove the glove box support by sliding the clip (A) down.



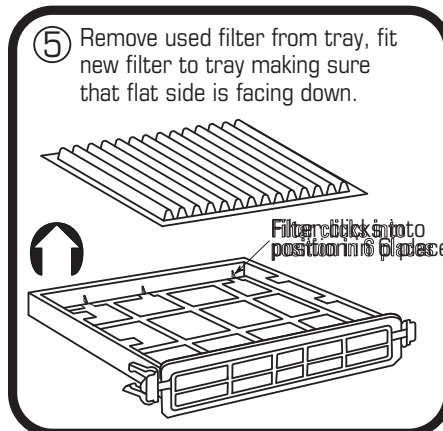
- ③ Push each side of glove box (A & B) to release catches, then remove the glove box.



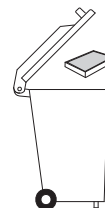
- ④ To remove filter assembly, hold tray on both sides as shown and pull out.



- ⑤ Remove used filter from tray, fit new filter to tray making sure that flat side is facing down.



- ⑥



Push new filter assembly and tray into position then refit all previously removed components,

Dispose of used filter correctly.

GUD Automotive Pty Ltd  
29 Taras Avenue Altona North  
Victoria 3025 Australia.  
[www.rycofilters.com.au](http://www.rycofilters.com.au)

GUD (NZ) Ltd  
626A Rosebank Road Avondale  
Auckland, New Zealand  
[www.ryco.co.nz](http://www.ryco.co.nz)